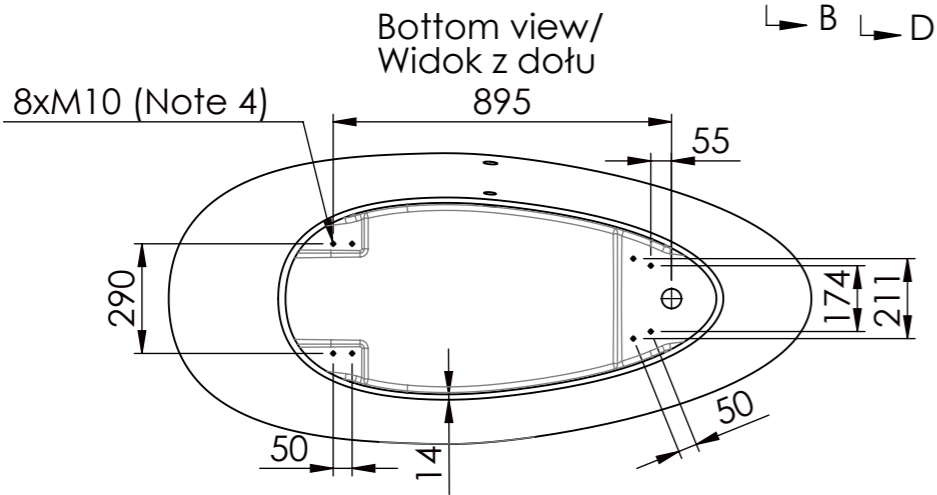
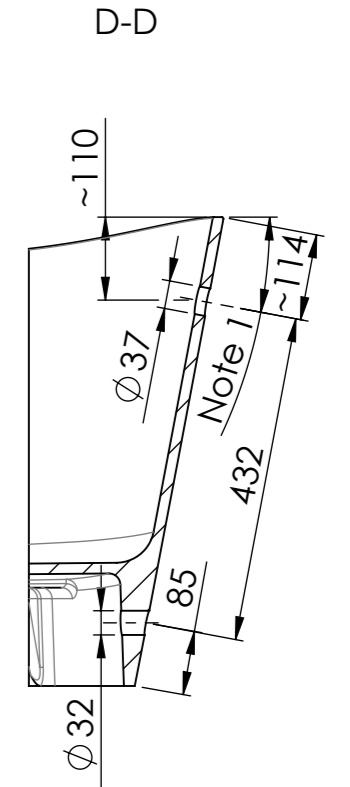
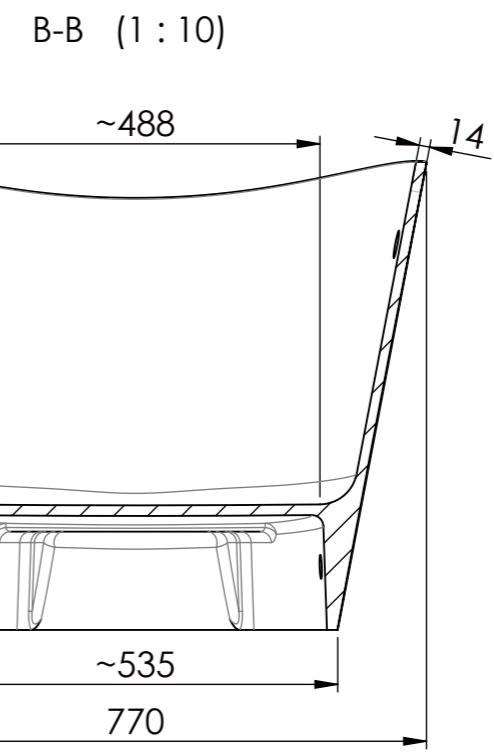
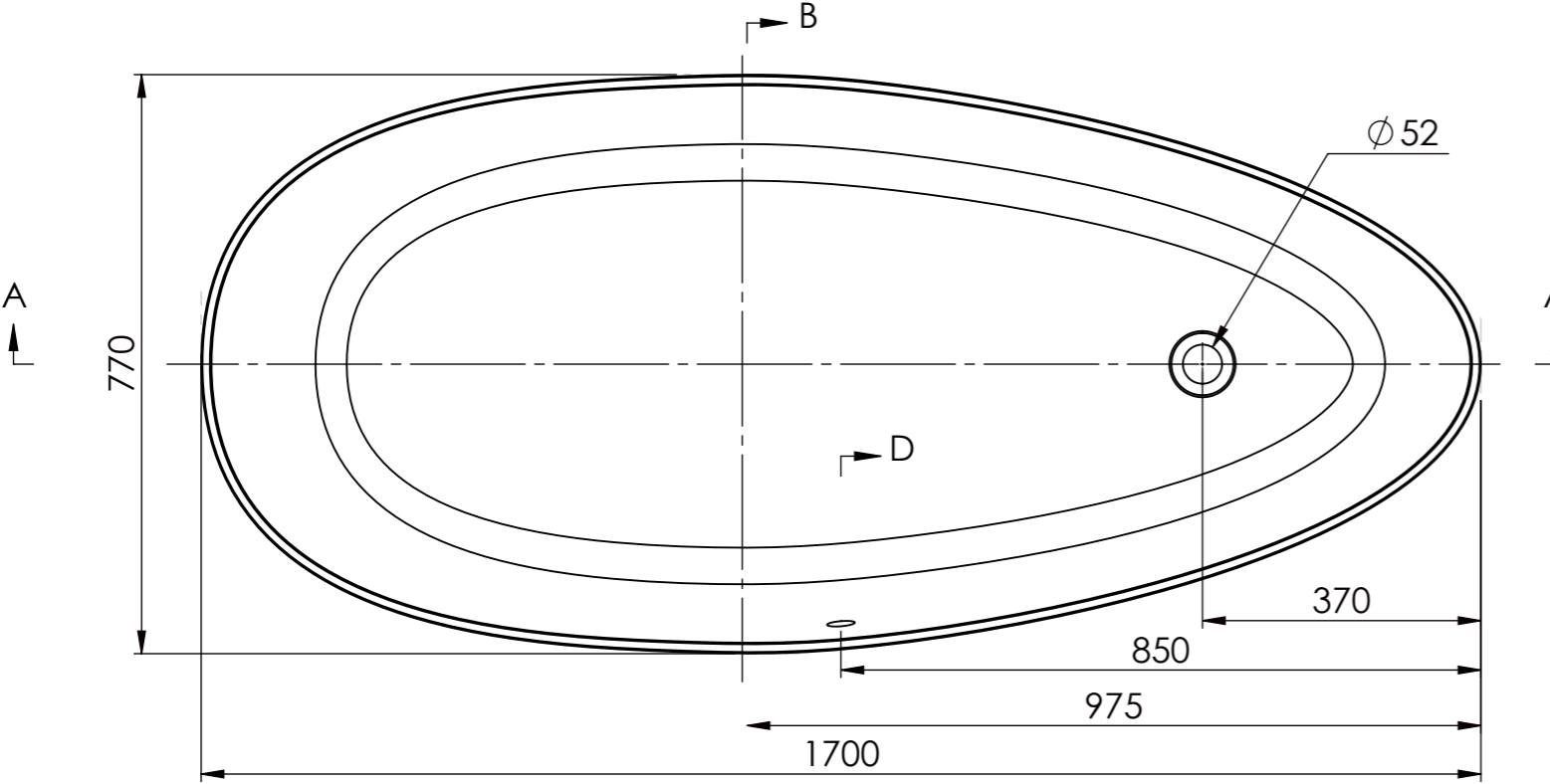
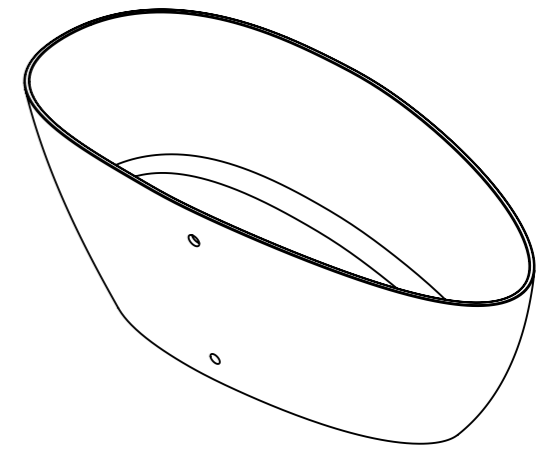
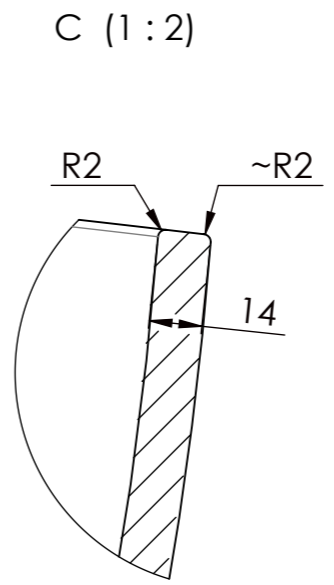
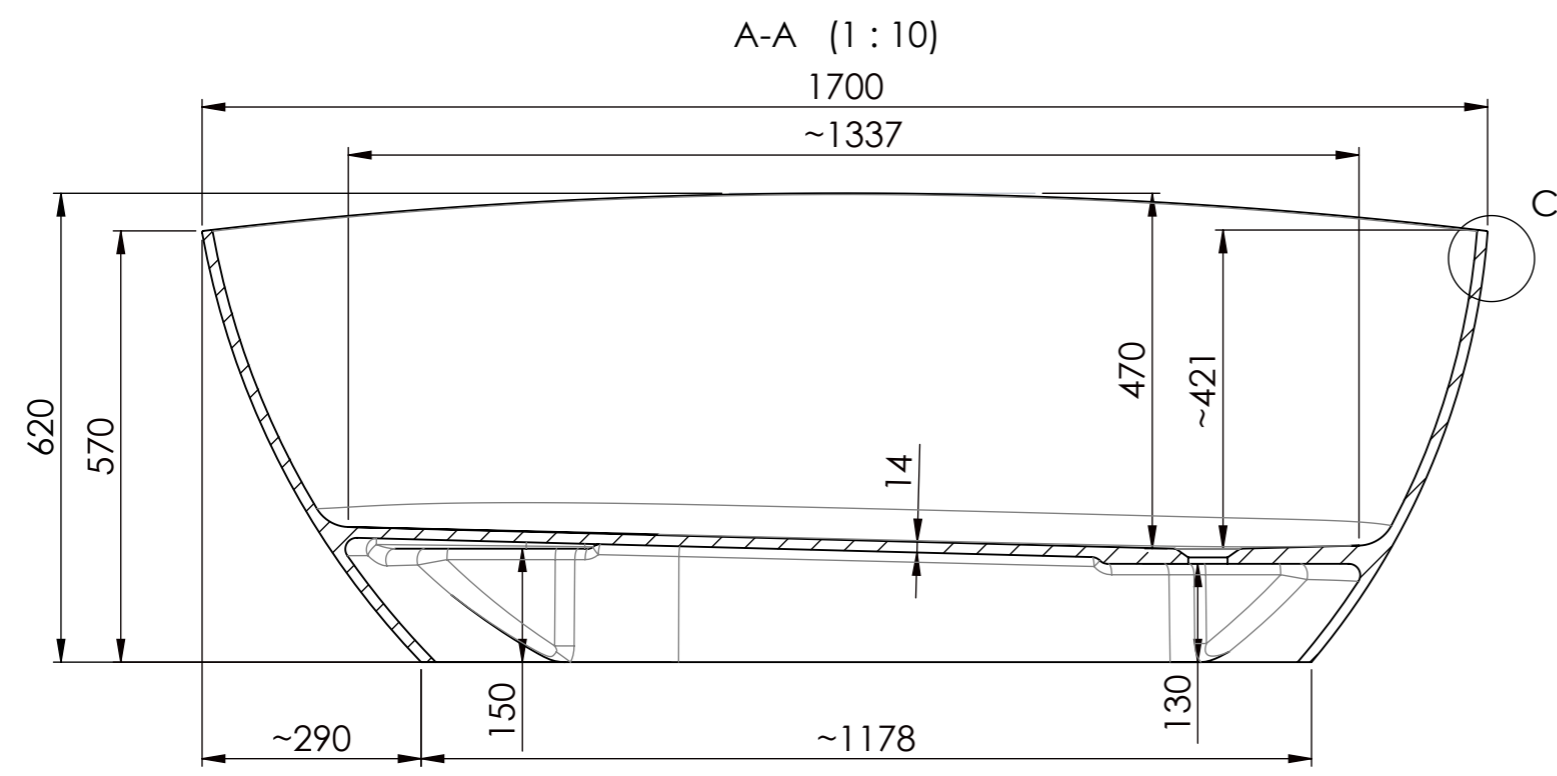


Rev	Design Change Note	Author	Date
001	First issue	KW	2017-01-24



- Uwagi/Note:
1. Normal to the wall of bath / prostopadle do ścianki wanny
 2. Water volume (full bathtub) 330 l / objętość wody (pełna wanna) 330 l
 3. Water volume (to overflow) 250 l / objętość wody (do przelwu) 250 l
 4. M10 steel bearings/M10 metalowe kołki

Tolerance length/width/height	+10/-10 mm	Drawn by	Zbigniew P	Created Date	2013-08-28	Checked by	Krzysztof N	Art. Name:	EBBA 1700R	
Tol. plane bending	≤800 mm	+1,5/-1,5 mm	Project status	Client	WEINMANN	Customer ID:	3603	Art. No.:	6235411721xx	
	>800 mm	+3/-3 mm						Mould No.:	F1180171	
Tolerance holes location	+3/-3 mm	Approved				Material volume [mm ³]	Overflow	Tap hole	Main dimensions L x W / H [mm]	Drain
Tolerance holes diameter	+1/-1 mm					47936567	Yes	0	1700 x 770 / 620	Regular
Tolerance wall thickness	+1/-1 mm					Surface area [mm ²]	Sheet Size	Scale	Current revision	
Tolerance feet location	+5/-5 mm					5519059	A3	1:10	001	

This document must not be copied without our written permission, and the contents thereof must not be imparted to a third party nor be used for any unauthorized purpose. Contravention will be prosecuted.