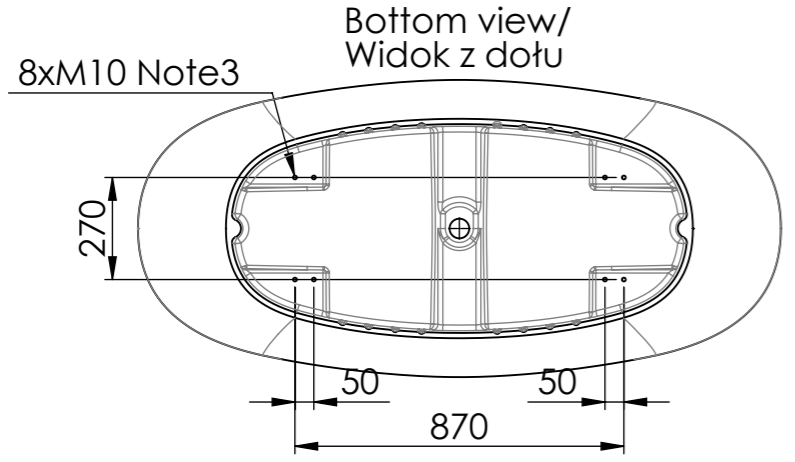
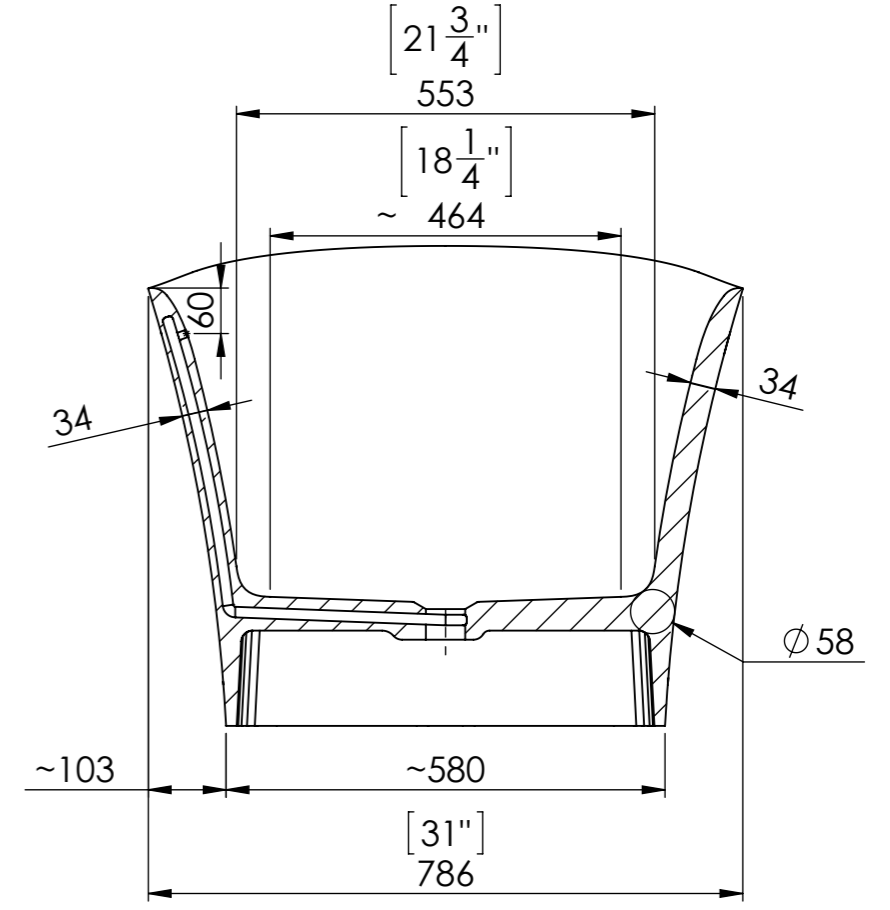
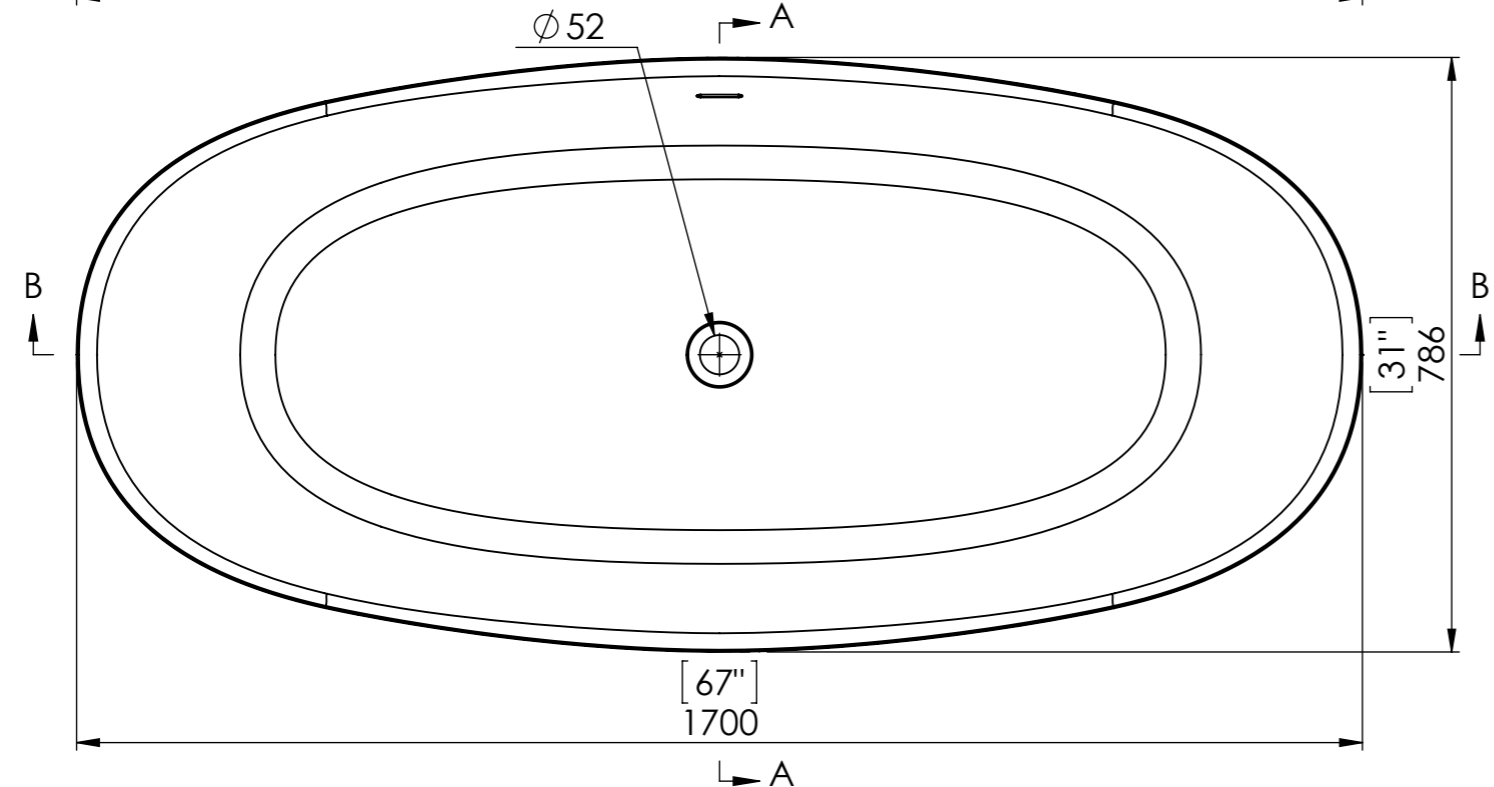
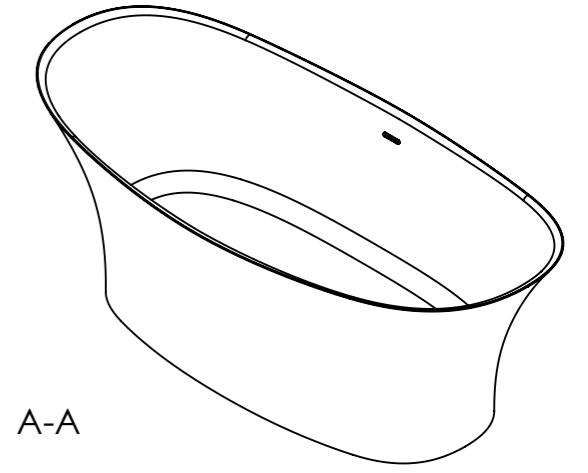
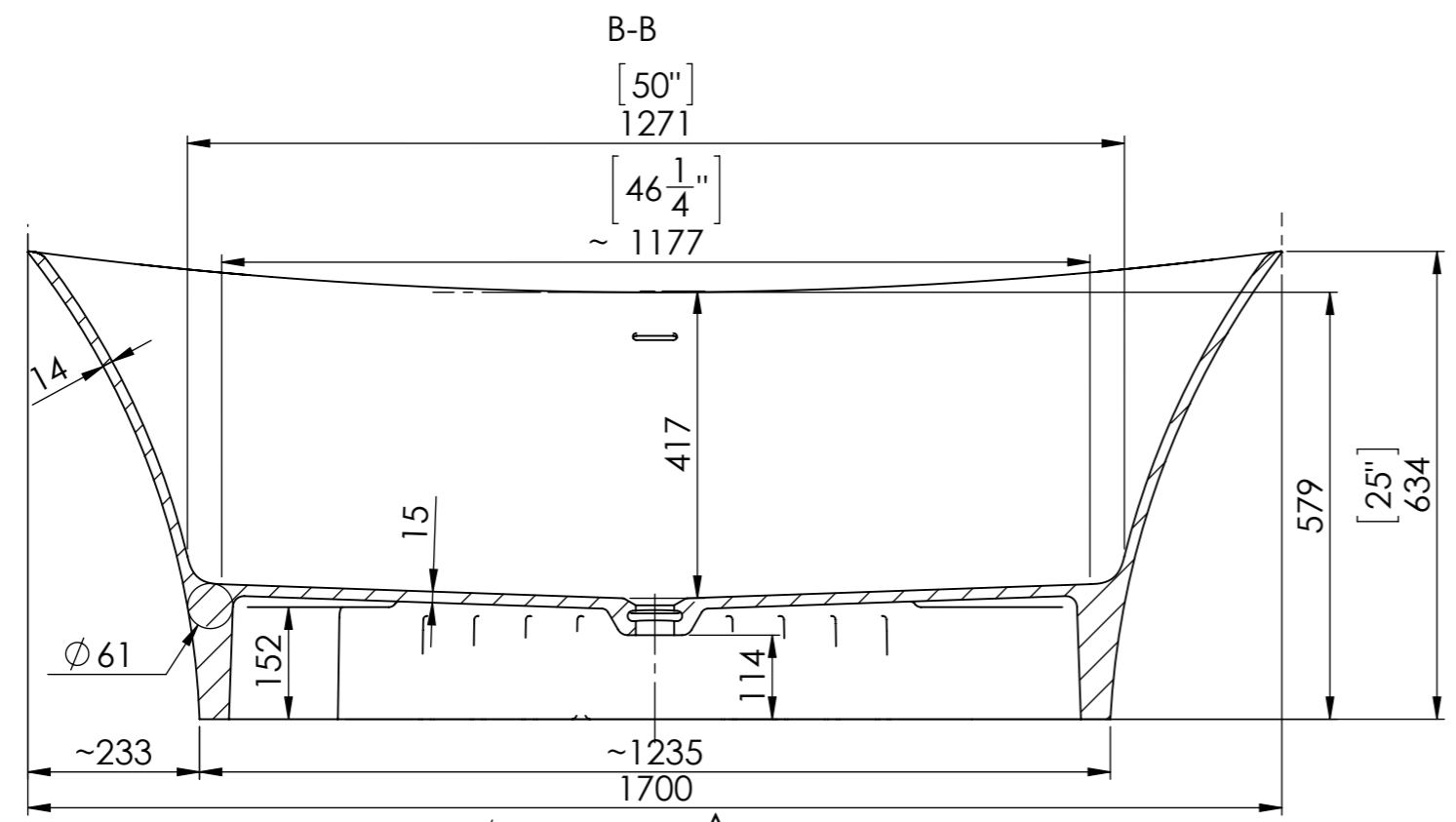


Rev	Design Change Note	Author	Date
A	Internal validation	ZP	2017-07-25
001	First issue - proposal	ZP	2017-08-23
002	Approved by client	ZP	2017-08-23



- Detale technologiczne**
- 1) Rurka przelewu 103710000189
 - 2) Adapter górny dedykowany 106110000119
 - 3) Adapter dolny odpływu 106110000060
 - 4) Wkładka 1 częściowa

- Notes/Uwagi:**
1. Water volume (full bathtub) 295 l / objętość wody (pełna wanna) 295 l
 2. Water volume (to overflow) 235 l / objętość wody (do przelwu) 235 l
 3. M10 steel bearings/M10 kołki stalowe

Tolerance length/width/height	+10/-10 mm	Drawn by	Zbigniew P	Created Date	2017-04-11	Checked by	Krzysztof N	Art. Name:	EARTA 2.0
Tol. plane bending	≤800 mm	+1,5/-1,5 mm	Project status	Client	Approved	MARMITE	Art. No:	Customer ID: STD	Mould No: F1202171
	>800 mm	+3/-3 mm							
Tolerance holes location	+3/-3 mm	Material volume [mm ³]			52974634.48	Overflow	Integ.	Taphole	0
Tolerance holes diameter	+1/-1 mm				Surface area [mm ²]			5459117.63	Sheet Size
Tolerance wall thickness	+1/-1 mm	Main dimensions L x W / H [mm]						1700 x 786 / 634	
Tolerance feet location	+5/-5 mm				Current revision			002	



This document must not be copied without our written permission, and the contents thereof must not be imparted to a third party nor be used for any unauthorized purpose. Contravention will be prosecuted.