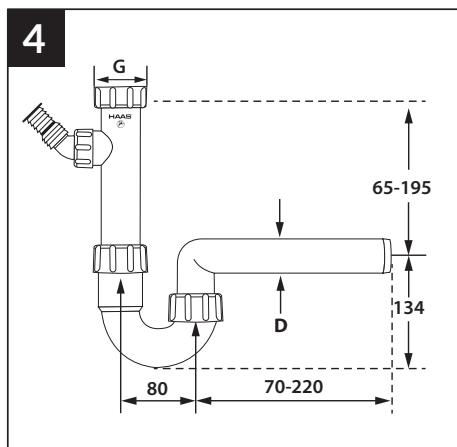
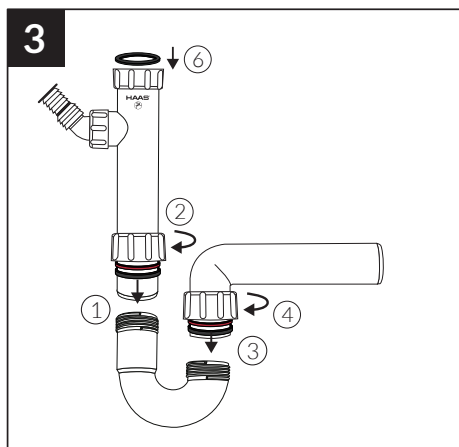
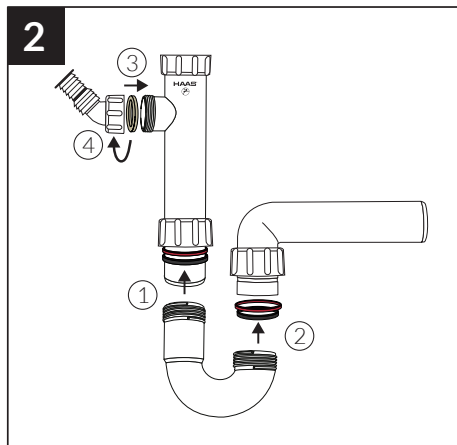
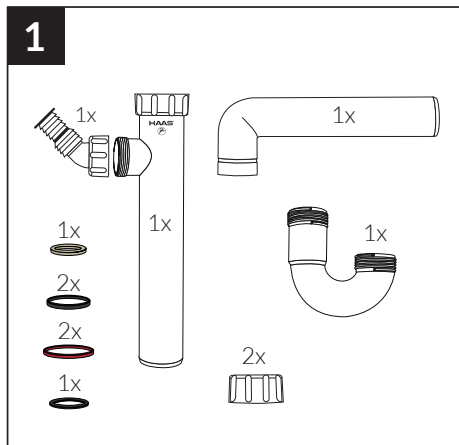


Art. 2910 / DN 40
Art. 2915 / DN 50
Art. 2917 / DN 40/50
Art. 2949 / DN 50
Art. 4816 / DN 56



G = 1 1/2"