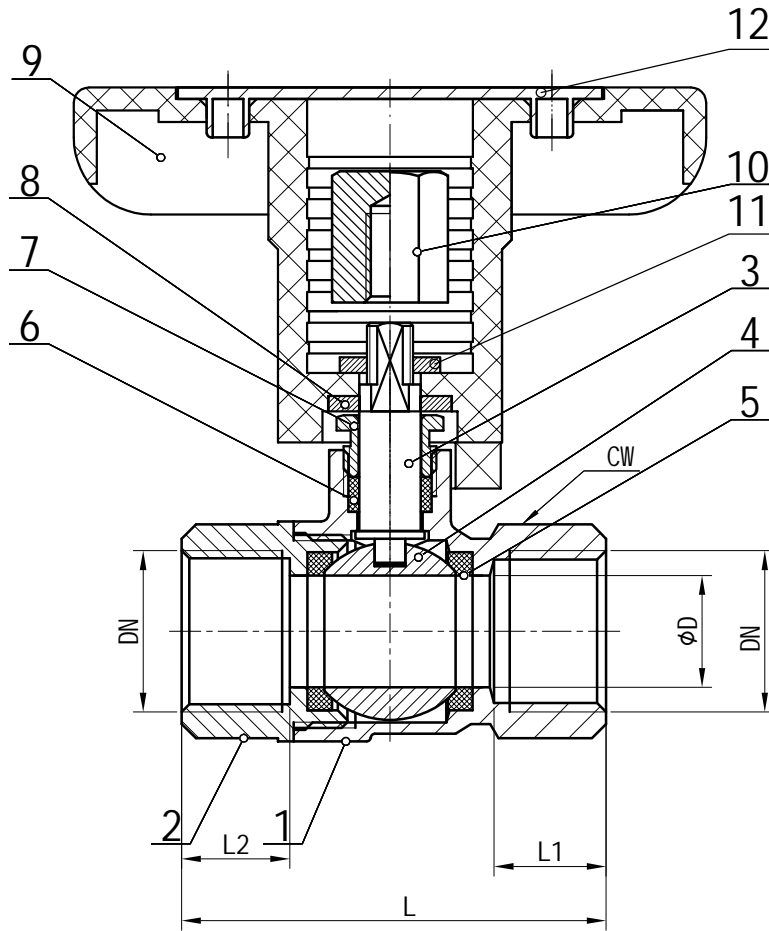


NO.	Part name	Material
1	Body	Brass
2	Bonnet	Brass
3	Stem	Brass
4	Ball	Brass
5	PTFE seat	PTFE
6	Packing gland	PTFE
7	Packing nut	Brass
8	Insert	Steel
9	Handle	Plastic
10	Uni on	Brass
11	Gasket	Steel
12	Flange	Plastic



Code	9702475	9702476	9702477
DN	1/2	3/4	1
φD	14.5	19	24
L1	14	16.5	17.5
L2	14	16.5	17.5
L	55	65	73
CW	24	31	38

Technical requirements:
 1)Surface: Sand plasting brass
 2)Working temperature:160°C
 3)Instant high temperature:180°C
 4)Working pressure:16 bar
 5)Threaded ends: ISO 228



GmbH