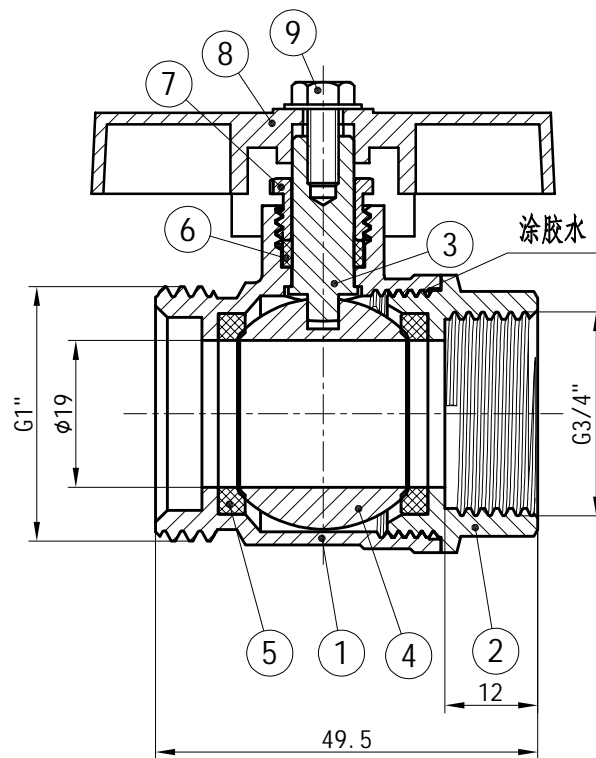


NO.	Part name	Material
1	Body	Brass
2	Bonnet	Brass
3	Stem	Brass
4	Ball	Brass
5	PTFE seat	PTFE
6	Packing gland	PTFE
7	Packing nut	Brass
8	Handle	Aluminum
9	Screw	Steel



Artikelnummer	Gewicht(g)	Temperatur Bereich	Druck Gruppe
89 000 72	210	-5°C~110°C	PN20



GmbH

Code

89 000 72

Description