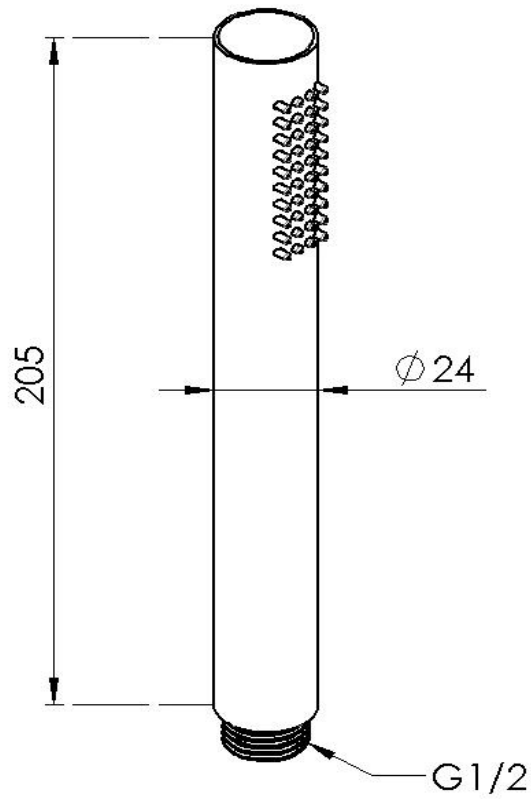
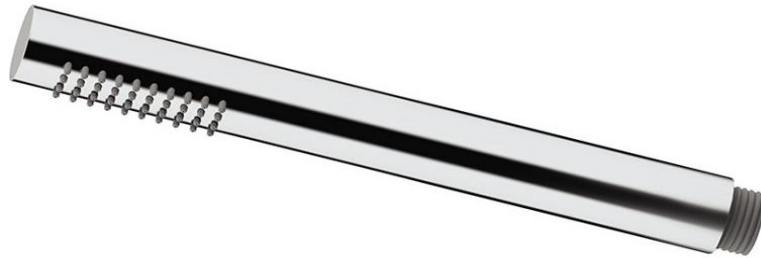


TECHNICAL FEATURES

CODE **93 160 73**



FLOW RATE 17 l/min - 3 bar

MATERIALS

ABS - SILICONE