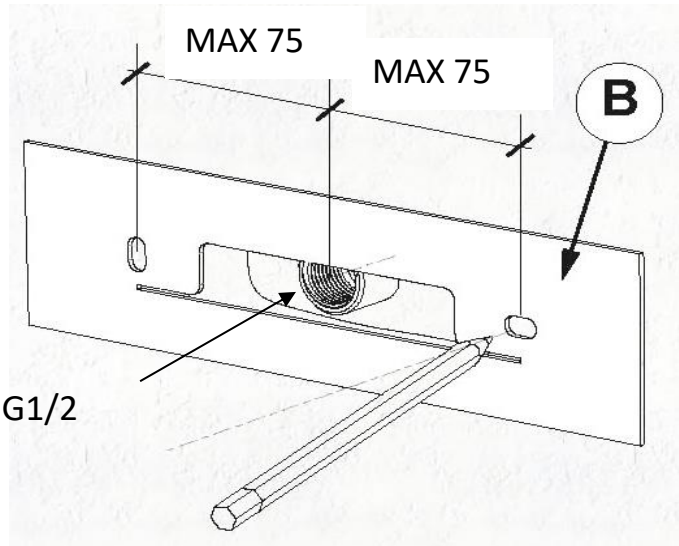
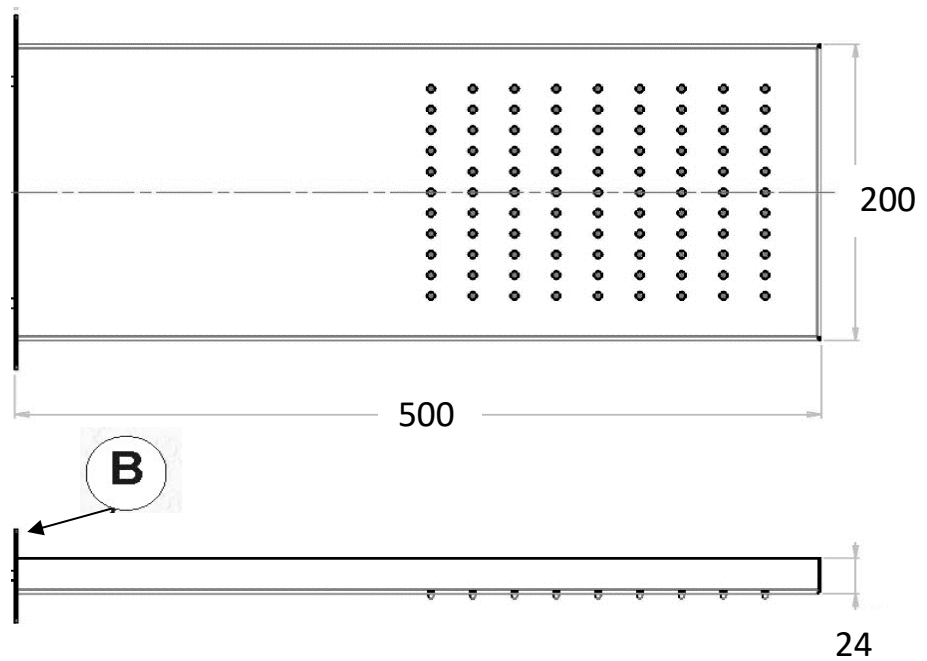
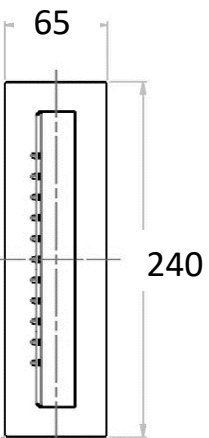


# TECHNICAL FEATURES

CODE **93 160 80**



WATER PLUG G1/2



## MATERIALS

STAINLESS STEEL AISI 304