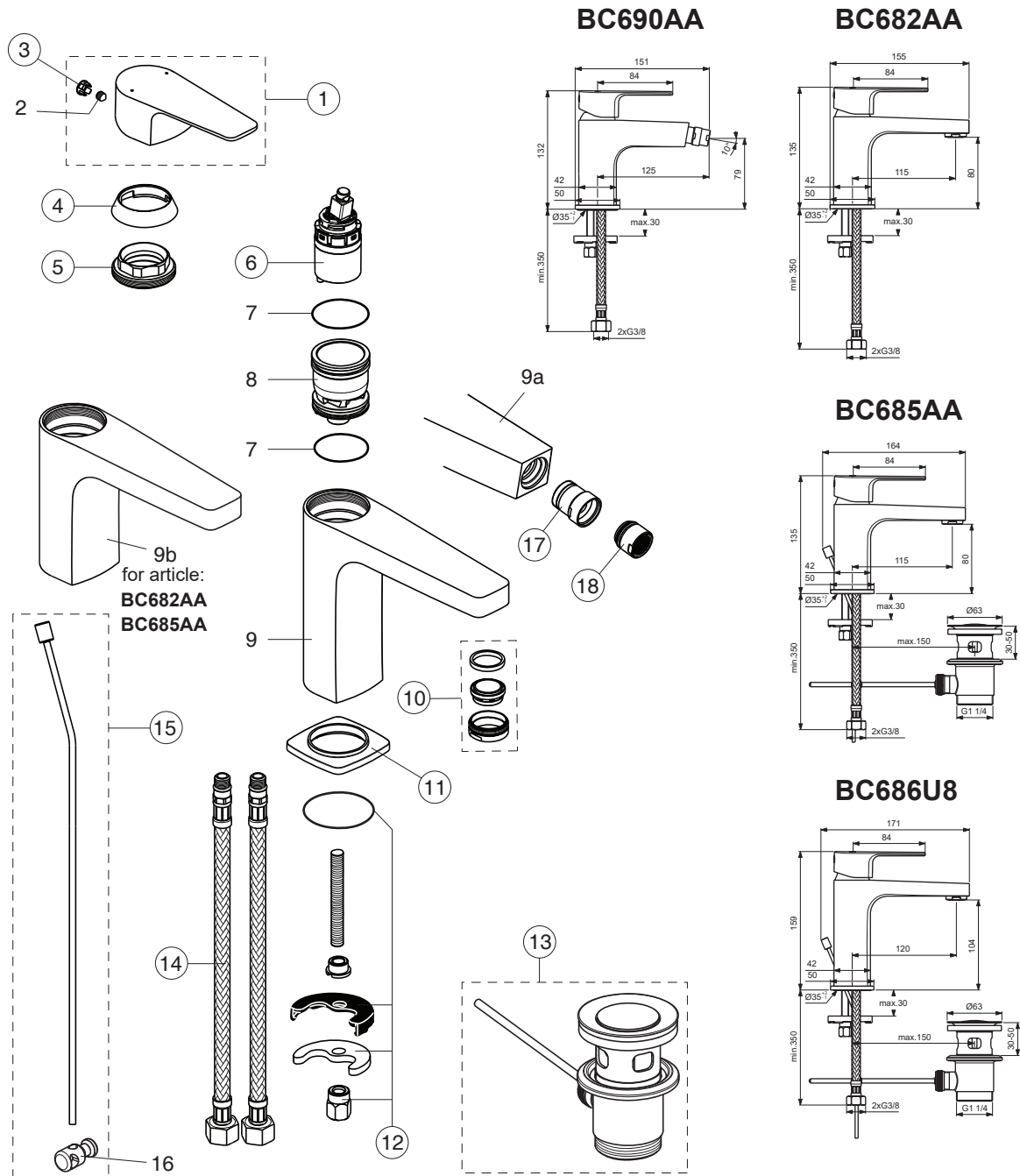




CERAFINE MODEL D

Ideal Standard



For XX=Coverage-Designate:
AA=chrome,U6=grey pearl

For Instance:
B961652AA for chrome

| Pos. | Signify | Spare parts-Nr. | Quantity | Pos. | Signify | Spare parts-Nr. | Quantity |
|------|--------------------------|-----------------|----------|------|----------------------|-----------------|----------|
| 1 | Lever,w/logo-compl. | B961652XX | 1 Set | 14 | Flex pexhose G3/8 | A962005NU | 1 Pcs. |
| 2 | Screw M5x6 | | 1 Pcs. | 15 | Pop up waste-compl. | B961241XX | 1 Pcs. |
| 3 | Cap decorative | B964696NU | 1 Pcs. | 16 | Pop up waste shackle | | 1 Pcs. |
| 4 | Cap | A861080XX | 1 Pcs. | 17 | Ball joint M18x1 | A960019XX | 1 Pcs. |
| 5 | Screw M38x1.5 | B961645NU | 1 Pcs. | 18 | Aerator M18x1 | A963369XX | 1 Pcs. |
| 6 | Cartridge Ø28mm | A861397NU | 1 Pcs. | | | | |
| 7 | O-Ring Ø30x2 | | 2 Pcs. | | | | |
| 8 | Manifold | | 1 Pcs. | | | | |
| 9;9b | Body basin | | 1 Pcs. | | | | |
| 9a | Body bidet | | 1 Pcs. | | | | |
| 10 | Perlator M24x1, / 5l/min | B961383XX | 1 Pcs. | | | | |
| 11 | Rosette decorative | B961290XX | 1 Pcs. | | | | |
| 12 | Connecting set | B964551NU | 1 Pcs. | | | | |
| 13 | Pop-up drain ass. | A962991XX | 1 Pcs. | | | | |