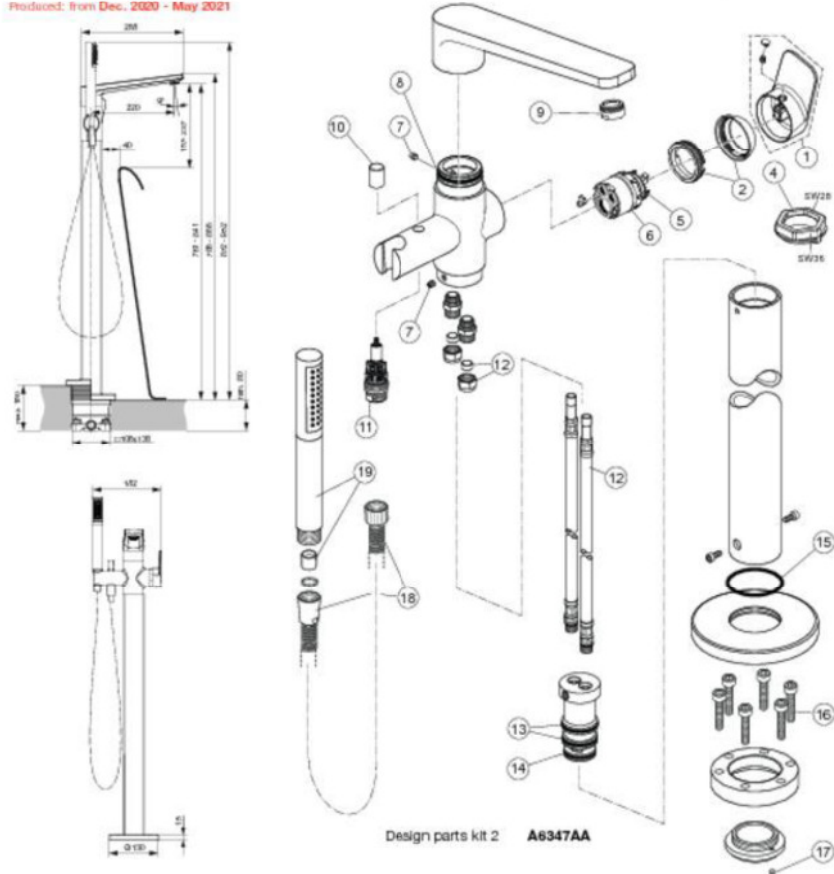


Tonic II floorstanding A6347AA



Produced: from Dec. 2020 - May 2021



Replace XX with the appropriate finish code
 Chrome = AA Matt black = XG

Example spare part order:
 A 861 320 AA In Chrome

Pos.	Description	Part-Number	Qty.	Pos.	Description	Part-Number	Qty.
1	Lever cpl. with Ring Logo	A 861 320 XX	1 Set	14	O-ring Ø 28,3 x 1,78	A 961 657 NU	2 pcs
2	Cover cap	B 960 862 XX	1 Set	15	O-ring Ø 33,57 x 3,53	A 962 530 NU*	1 Set
4	Key for pos. 2	B 960 859 NU	1 pcs	16	Cylindrical screw M8x35	A 960 242 NU	1 pcs
5	Hot limit stop	A 861 181 NU	1 pcs	17	Thread pin M5x6 DIN914	A 962 041 NU*	1 Set
6	Cartridge Ø38 + Pos. 4	A 861 158 NU*	1 Set	18	Flex. hose G1/2 - 125cm	A 3206 XX	1 pcs
7	Thread pin M6x8	F 960 905 NU	2 pcs	19	Hand spray	A 861 090 XX	1 pcs
8	O-ring Ø 39,94 x 2,62	A 960 331 NU*	1 Set	*Universal set (not all parts needed)			
9	Aerator M24x1	A 963 181 NU	1 pcs				
10	Pull knob	B 960 488 XX	1 pcs				
11	Diverter complete	B 960 167 XX	1 Set				
12	Flex. hose M12xG3/8	A 861 140 NU	1 pcs				
13	O-ring Ø 29,82 x 2,62	N 960 006 NU	3 pcs				

Tonic II

Tonic II

IS_TonicII_A6347_SparesL_NN.pdf